

Cabinet U-Handles

Stainless Steel Precision Casting

SPECIFICATION

Types

- Type **A**: Mounting from the back (threaded blind bore)
- Type **B**: Mounting from the operator's side

Stainless steel precision casting AISI CF-8

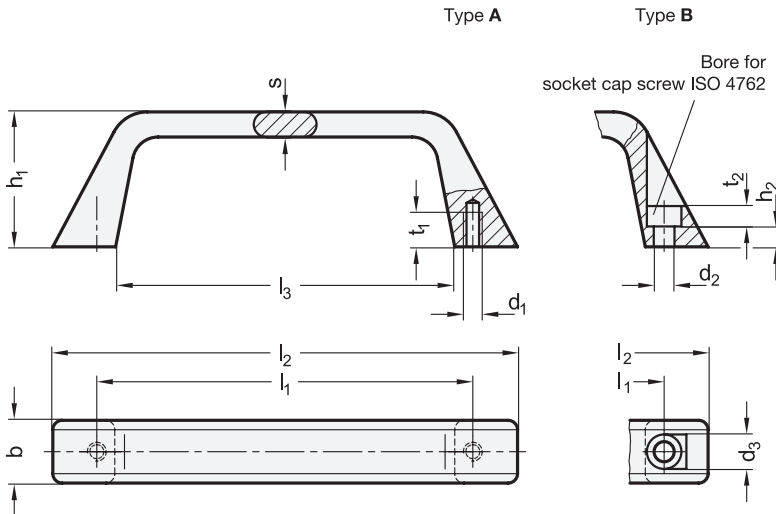
Matt shot-blasted

INFORMATION

The installation of cabinet U-handles GN 728.5 can be carried out from the back (type A) as well as from the operator's side (type B).

TECHNICAL INFORMATION

- Load Rating Information (see page A35)
- Stainless Steel Characteristics (see page A26)



GN 728.5-A

STAINLESS STEEL

Description	l_1	b	d_1	d_3	h_1	l_2	l_3	s	t_1 min.	
GN 728.5-120-A	120	22.5	M 6	11	42.5	147	108	8	10	269

GN 728.5-B

STAINLESS STEEL

Description	l_1	b	d_2	d_3	h_1	h_2	l_2	l_3	s	t_2	
GN 728.5-120-B	120	22.5	6.4	11	42.5	6.5	147	108	8	6.5	265